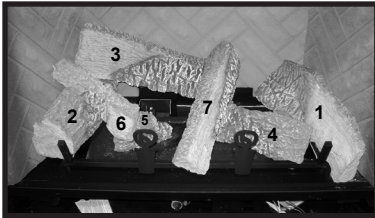
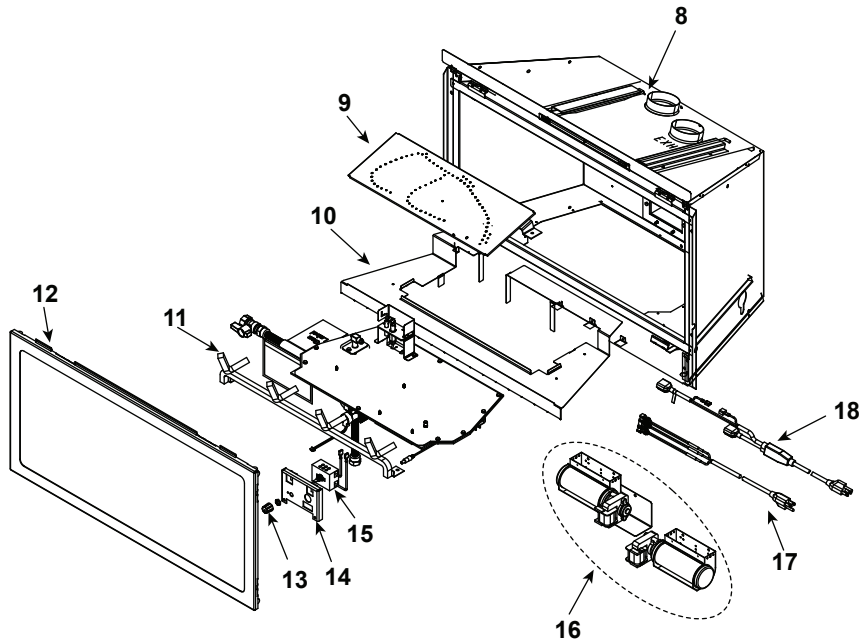
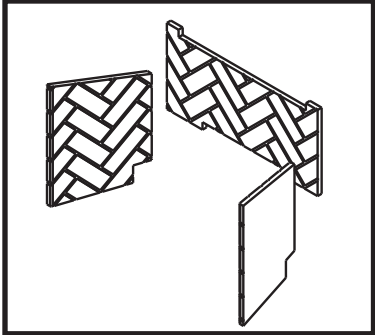


Log Set Assembly



19 Refractory Assembly



IMPORTANT: THIS IS DATED INFORMATION. Parts must be ordered from a dealer or distributor. **Hearth and Home Technologies does not sell directly to consumers.** Provide model number and serial number when requesting service parts from your dealer or distributor.



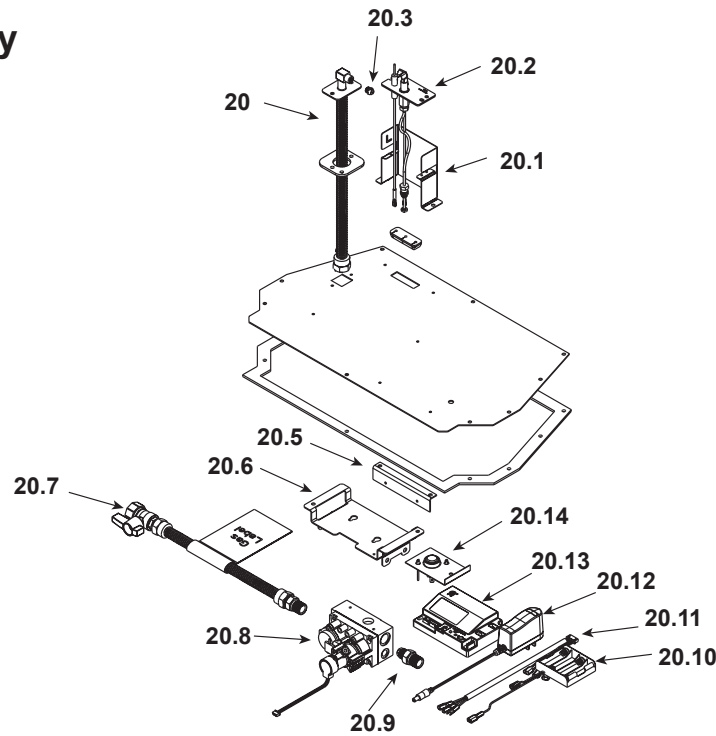
**Stocked
at Depot**

ITEM	DESCRIPTION	COMMENTS	PART NUMBER	
	Log Assembly		LOGS-QFI35	Y
1	Log 1	No longer available, Must order complete assembly	SRV2225-701	
2	Log 2		SRV2225-703	
3	Log 3		SRV2225-702	
4	Log 4		SRV2225-705	
5	Log 5		SRV2225-710	
6	Log 6		SRV2225-706	
7	Log 7		SRV2225-704	
8	Termination Plate Assembly		2205-012	
	Flex Pipe Handle		438-351	
	Gasket		2206-401	
9	*Burner Assembly	Call Tech Service with Serial number		
10	Base Pan	No Longer Available	2205-106	
11	Grate Assembly	No Longer Available	2225-016	
12	Glass Door Assembly		GLA-2205	Y
13	Rheostat Knob		SRV100-512	Y
14	Control Panel		SRV2205-129-BK	
15	On/Off Rheostat		2206-800	Y
16	Blower Assembly		GFK-210-C	
17	Power Cord Assembly		2206-068	Y
18	Cord Assembly		2201-017	Y
19	Refractory Assembly (sold as set only)		BRICK-QI35	

*Call Tech Service with serial number for correct conversion and/or possible upgrade pilot kit

Additional service part numbers appear on following page.

#20 Valve Assembly



IMPORTANT: THIS IS DATED INFORMATION. Parts must be ordered from a dealer or distributor. **Hearth and Home Technologies does not sell directly to consumers.** Provide model number and serial number when requesting service parts from your dealer or distributor.



**Stocked
at Depot**

ITEM	DESCRIPTION	COMMENTS	PART NUMBER	
20.1	Pilot Bracket	Call Tech Service with Serial number		
20.2	*Pilot Assembly NG		Call Tech Service	
	*Pilot Assembly LP		with Serial number	
20.3	Orifice NG (#33C)		582-833	Y
	Orifice LP (#50C)		582-850	Y
20.4	18" Flex Connector		530-302A	Y
20.5	control Panel Bracket		SRV2205-128	
20.6	Valve Bracket		SRV2205-146	
20.7	Flex Ball Valve Assembly		SRV302-320	Y
20.8	Valve NG		SRV2166-302	Y
	Valve LP		2166-303	Y
20.9	Brass Connector	Pkg of 5	303-315/5	Y
20.10	Battery Pack**		SRV2166-323	Y
20.11	Wire Harness		2166-304	Y
20.12	Power Supply		SRV2326-131	Y
20.13	Module		2166-347	Y
20.14	Thermostat Assembly		SRV046-018A	Y

**Fuse for battery pack can be sourced locally, not a warranty item. Specs are 250v, 1A fuse, 3/4" long

*Call Tech Service with serial number for correct conversion and/or possible upgrade pilot kit

Additional service part numbers appear on following page.

